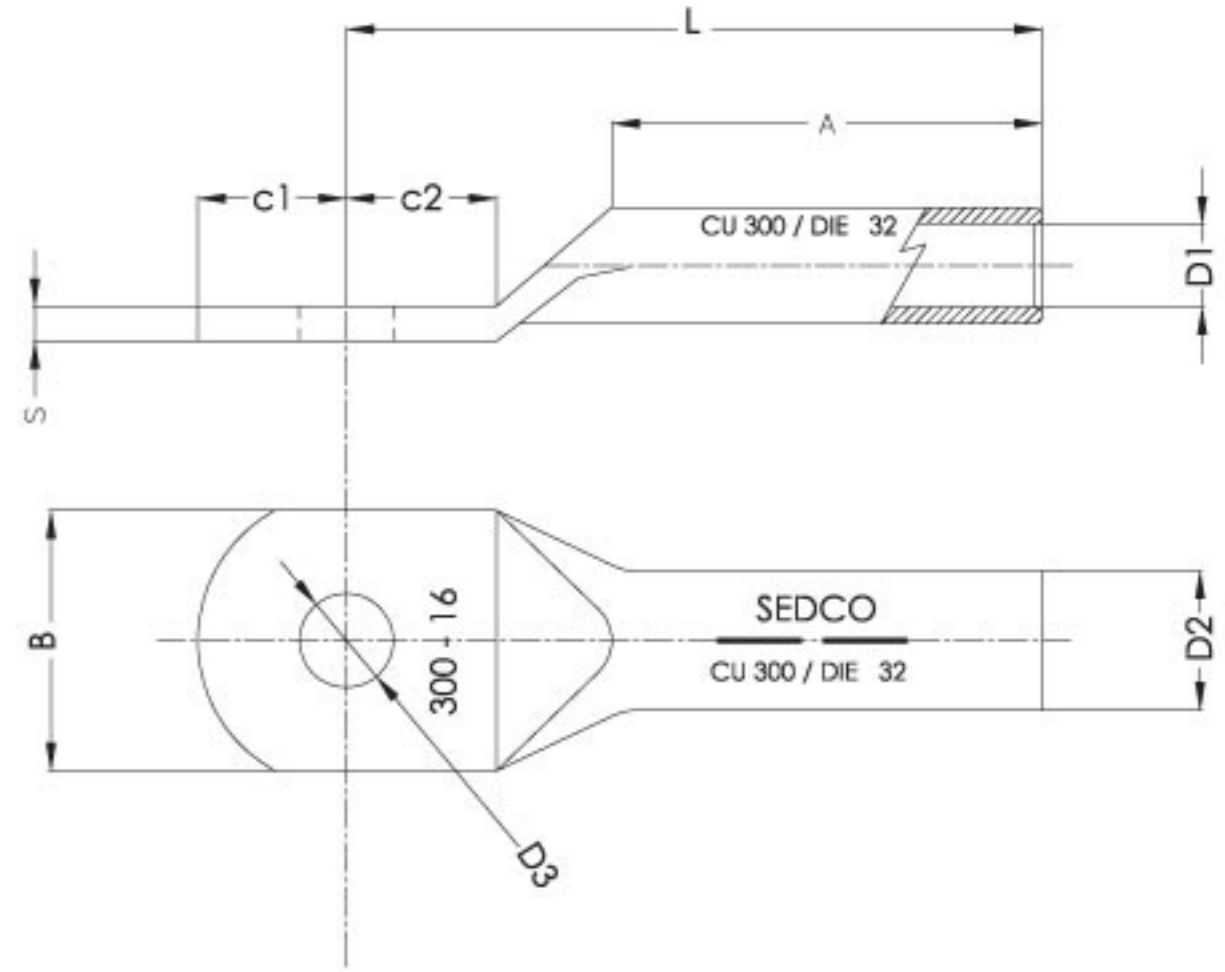


Tubular Copper Lugs



- Tube : Seamless, one piece tube
- Material : Electrolytic tough pitch copper
- Conductivity : High conductive 99.9% E.T.P
- Finish : Tin plated to assure maximum conductivity.
- Identification : Conductor size ,stud size and connector die size are marked on every piece
- Manufacturing standard : DIN 46235
- Tube manufacturing : In compliance with DIN EN 13600.

Code	Conductor Size mm ²	Stud Size	Conn. Die D(*)	A	B	C1	C2	D1	D2	D3	E	L	S
STCL 6/6	6	M 6	5	10	8.5	7.5	8	3.8	5.5	6.4	0.6	24	1.5
STCL 10/6	10	M 6	6	10	9	7.5	8.5	4.5	6	6.4	0.6	27	1.5
STCL 16/8	16	M 8	8	20	13	10	10	5.5	8.5	8.4	1	36	2.5
STCL 25/8	25	M 8	10	20	16	10	10	7	10	8.4	1	38	3
STCL 35/10	35	M 10	12	20	19	12	12	8.2	12.5	10.5	1	42	2.5
STCL 50/10	50	M 10	14	28	22	12	12	10	14.5	10.5	1	52	4
STCL 70/12	70	M 12	16	28	24	13	13	11.5	16.5	13	2	55	5
STCL 95/12	95	M 12	18	35	28	13	13	13.5	19	13	2	65	5
STCL 120/12	120	M 12	20	35	32	16	17	15.5	21	13	2	70	5.5
STCL 150/12	150	M 12	22	35	34	16	17	17	23.5	13	2	78	6
STCL 185/16	185	M 16	25	40	37	19	20	19	25.5	17	2	82	6
STCL 240/16	240	M 16	28	40	42	19	20	21.5	29	17	2	92	6.5
STCL 300/16	300	M 16	32	50	48	19	22	24.5	32	17	2	100	7
STCL 400/20	400	M 20	38	70	55	25	25	27.5	38.5	21	3	115	10
STCL 500/20	500	M 20	42	70	60	25	25	31	42	21	3	125	10
STCL 630/20	630	M 20	44	80	60	25	25	34.5	44	21	3	135	10
STCL 800/20	800	M 20	52	100	75	25	25	40	52	21	4	165	12

(*) D= Recommended die size for hexagonal crimping

- All dimensions in mm.
- Other dimensions, shapes or sizes are available upon request.
- Due to continuous product improvement, some specifications could be changed without notice.

STCL/R3-0513