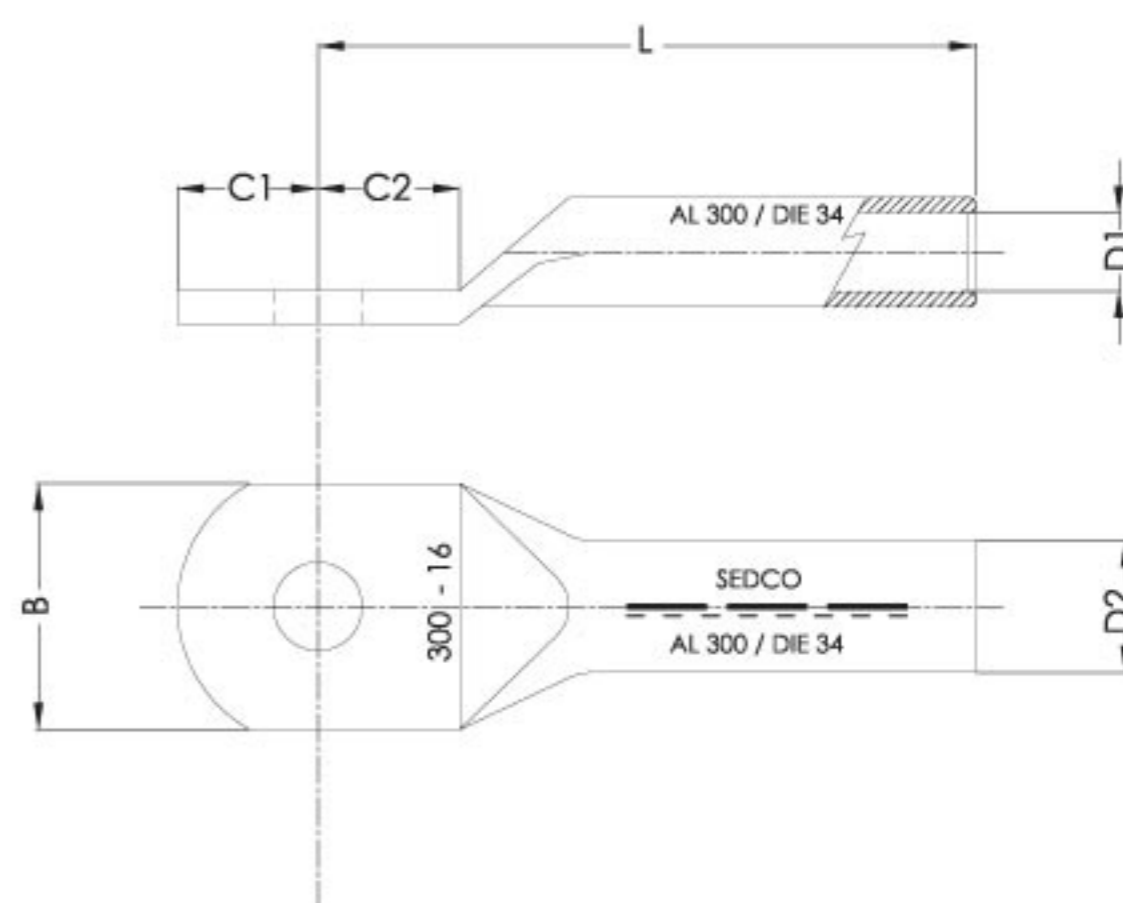


Tubular Aluminum Lugs



Tube : Seamless, one piece tube
 Material : Pure Aluminum
 Conductivity : high conductive 99.5%
 Finish : Chemically treatment
 Identification : Conductor size, stud size and connector die size are marked on every piece
 Tube manufacturing : according to DIN EN 755-7

Code	Conductor Size mm ²	Stud Size	Conn. Die D(*)	B	C1	C2	D1	D2	L
STAL 25/8	25	M 8	12	18	9.5	12.0	6.8	12	60
STAL 35/10	35	M 10	14	21	11.2	14.5	8.0	14	67
STAL 50/10	50	M 10	16	25	14.0	14.5	10.0	16	72
STAL 70/12	70	M 12	18	28	15.0	17.5	11.2	18	86
STAL 95/12	95	M 12	22	32	15.5	18.0	13.2	22	90
STAL 120/12	120	M 12	22	32	16.0	17.0	14.7	22	91
STAL 150/12	150	M 12	25	35	17.5	21.5	16.3	25	103
STAL 185/16	185	M 16	28	40	21.5	25.0	18.5	28	106
STAL 240/16	240	M 16	32	45	23.5	26.0	21.0	32	116
STAL 300/16	300	M 16	34	49	24.0	25.0	23.3	34	124
STAL 400/20	400	M 20	38	58	30.5	32.0	26.0	38	165
STAL 500/20	500	M 20	44	60	30.0	31.5	29.0	44	185

- (*) D= recommended die size for hexagonal crimping 
- All dimensions in mm.
 - Other dimensions, shapes or sizes are available upon request.
 - Due to continuous product improvement, some specifications could be changed without notice.

STAL/R3-0513