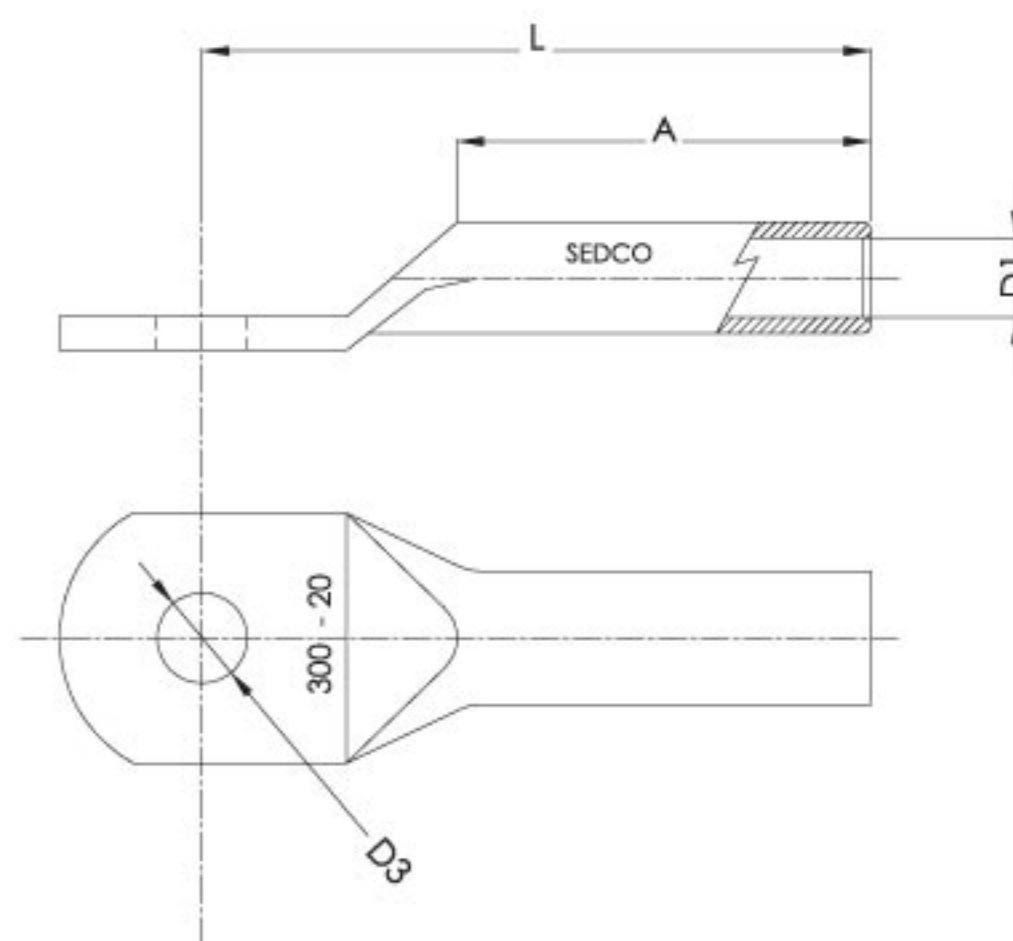


## Standard Copper Lugs



- Tube : Seamless, one piece tube
- Material : Electrolytic tough pitch copper
- Conductivity : High conductive 99.9% E.T.P
- Finish : Tin plated to assure maximum conductivity
- Identification : Conductor size and stud size are marked on every piece.
- Tube Manufacturing : In compliance with DIN EN 13600.

Code	Conductor Size mm <sup>2</sup>	Stud Size	A	D1	D3	L
SSCL 6/6	6	M 6	10	3.8	6.5	31.5
SSCL 10/6	10	M 6	10	4.5	6.5	34.5
SSCL 16/8	16	M 8	11	5.5	8.5	35
SSCL 25/8	25	M 8	12	6.8	8.5	38
SSCL 35/8	35	M 8	15	8.2	8.5	45
SSCL 50/10	50	M 10	18	9.5	10.5	50
SSCL 70/10	70	M 10	20	11.2	10.5	53
SSCL 95/12	95	M 12	22	13.4	13.0	60
SSCL 120/12	120	M 12	26	15.0	13.0	65
SSCL 150/12	150	M 12	30	16.5	13.0	72
SSCL 185/16	185	M 16	30	19.0	17.0	83
SSCL 240/16	240	M 16	35	21.0	17.0	94
SSCL 300/20	300	M 20	44	23.5	21.0	111
SSCL 400/20	400	M 20	44	27.0	21.0	114
SSCL 500/20	500	M 20	68	31.0	21.0	144
SSCL 630/20	630	M 20	68	34.0	21.0	144

- All dimensions in mm.
- Other dimensions, shapes or sizes are available upon request.
- Due to continuous product improvement, some specifications could be changed without notice.

SSCL/R3-0513