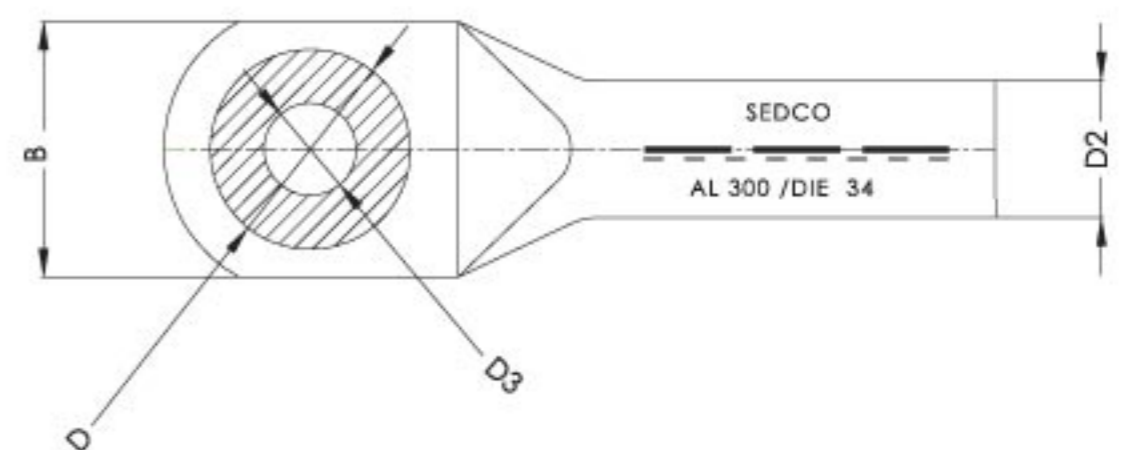
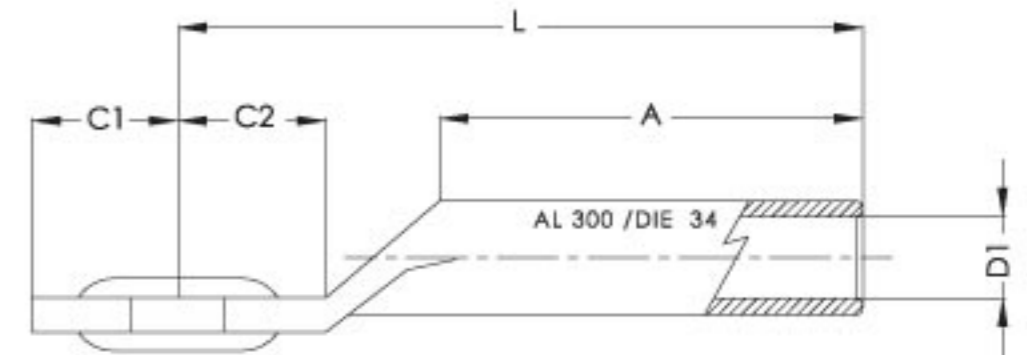


Bi-Metallic Insert Lugs



- Tube : Seamless, one piece tube
 - Material : Pure Aluminum 99.5%
 - Finish : Chemically treatment
 - Ring Material : High conductive 99.9% E.T.P copper
 - Ring Finish : Plain copper
 - Identification : Conductor size, stud size and connector die size are marked on every piece
 - Tube Manufacturing : According to DIN EN 755-7.
 - Manufacturing : Copper ring is inserted in the Al palm and excellent connection is assured .
- Bi-metallic insert (ring) lugs assure a maximum reliability connection of aluminum cables to copper busbars, copper bushings,..etc.

Code	Conductor Size mm ²	Stud Size	Conn. Die D(*)	A	B	C1	C2	D1	D2	D3	D	L
SBIL 70/12	70	M 12	18	51.5	32	16.5	18	11.2	18	13	28	86
SBIL 95/12	95	M 12	22	51.5	35	17	18	13.2	22	13	28	90
SBIL 120/12	120	M 12	22	51.5	35	17	19	14.7	22	13	28	92
SBIL 150/12	150	M 12	25	59	35	18.5	21.5	16.3	25	13	28	103
SBIL 185/12	185	M 12	28	59	40	22.5	24	18.5	28	13	28	106
SBIL 240/16	240	M 16	32	67	45	25.5	26	21	32	17	33	116
SBIL 300/16	300	M 16	34	76.5	50	25	25	23.3	34	17	33	125
SBIL 400/16	400	M 16	38	99	58	30.5	32	26	38	17	35	165
SBIL 500/16	500	M 16	44	110	62	30.0	37	29	44	17	35	185

(*) D= recommended die size for hexagonal crimping

- All dimensions in mm.
- Other dimensions, shapes or sizes are available upon request.
- Due to continuous product improvement, some specifications could be changed without notice.

SBIL/R3-0513

www.elsewedyelectric.com